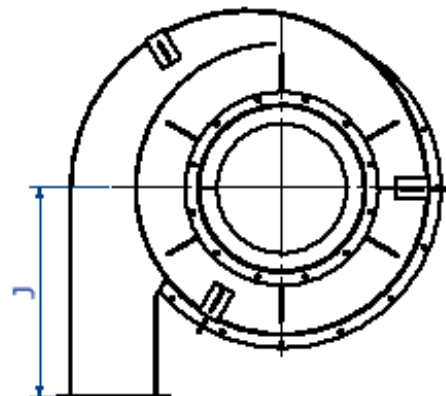
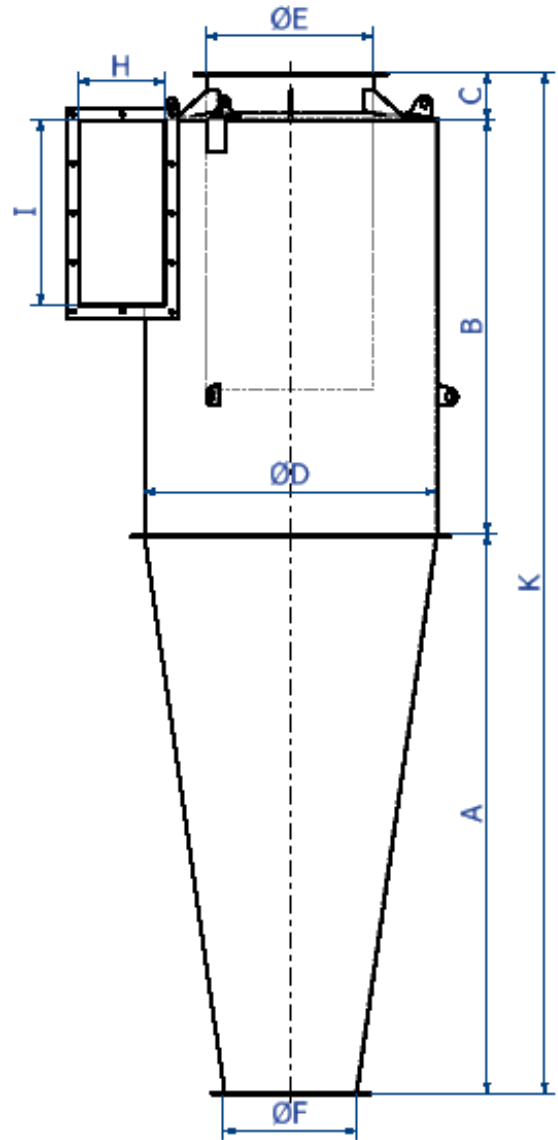
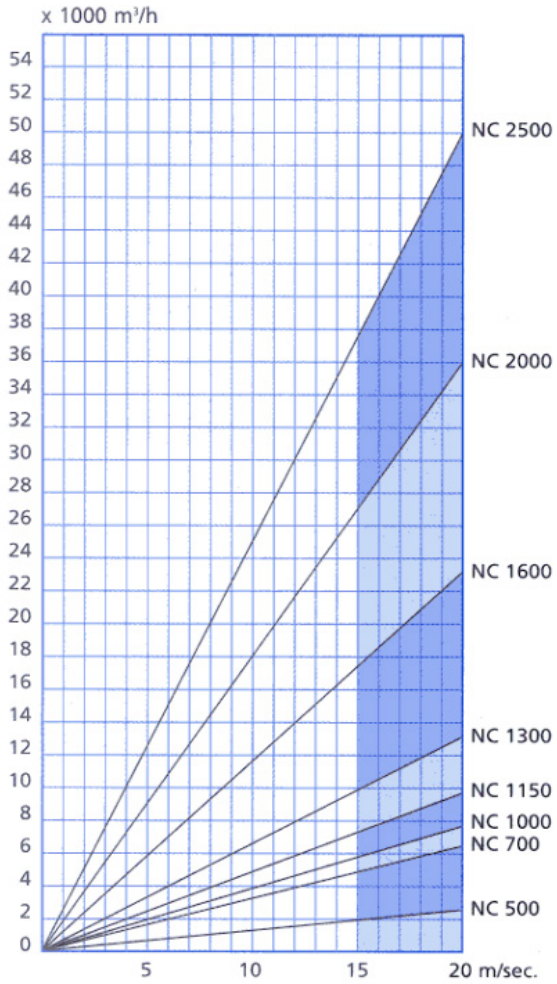


Cyclone type NC 500-2500



NC size	Cyclone NC	Tangential outlet	Ex Tangential outlet*
	item	item	item
500 left	73003852	73006362	73003869
500 right	73003846	73003859	73003860
700 left	73003854	73003870	73003871
700 right	73003847	73003861	73003862
1000 left	73003855	73003872	73006428
1000 right	73003848	73003863	73003864
1150 left	73003856	73003874	73003875
1150 right	73003849	73003865	73003866
1300 left	73003857	7906144	73006431
1300 right	73003850	73003867	73003868
1600 left	73003858	73003876	73006433
1600 right	73003851	7989871	73006422
2000 left	73006417	73006434	73006435
2000 right	73006415	73006423	73006424
2500 left	73006418	73006436	73008223
2500 right	73006416	73006425	73008222

* Explosion panels on Ex Tangential outlet was calculated based on dust value listed in below table. For cyclones in an installation working with explosion dust, the customer should make additional calculation for the vent area. Relief area in the Ex tangential outlet can be too small for conditions and all installation.

Dust value				
	K_{st} [bar]	P_{max} [bar]	Volume [m ³]	Panles Qty.
NC 500	150	6	0,24	1
NC 700	170	6	0,68	1
NC 1000	100	6	2,01	1
NC 1150	130	6	3,15	1
NC 1300	125	6	4,49	1
NC 1600	115	6	7,74	1
NC 2000	160	6	13,99	2
NC 2500	170	6	24,12	3

NC size	Transition to NRS(Z)4	Transition to NRS(Z)10
	item	item
500	73003877	-
700	73003878	73003882
1000	73003879	73003883
1150	73003880	73003884
1300	73006363	73003885
1600	73003881	73006364
2000	73006438	73006441
2500	73006439	73003886

Cyclone dust container with reduction								
size	NC 500	NC 700	Nc 1000	NC 1150	NC 1300	NC 1600	NC 2000	NC 2500
item	73007861	73007862	73007863	73007864	73007865	73007866	73007867	73007868

Inlet* galvanized QF								
size	NC 500	NC 700	NC 1000	NC 1150	NC 1300	NC 1600	NC 2000	NC 2500
200	73006355							
224	73006462	73006463						
250	73006368	73003319						
280		73006464						
300		73006465						
315		73003320						
350		73003321	7988029	73003323				
355			73006466	73006468				
400			73006467	73006378	73003324			
450					73006381	73006470		
500					73006469	73006383		
550						73006471		
560						73006472		
600						73006473	73006475	
630						73006474	73006476	
650							73006477	
700							73006478	
710							73006479	
750							73006480	
800							73006481	73006482
850								73006483
900								73006484
950								73006485

* The inlet must level with the bottom.

Inlet* galvanized FL								
size	NC 500	NC 700	NC 1000	NC 1150	NC 1300	NC 1600	NC 2000	NC 2500
200	73006486							
224	73006487	73006489						
250	73006488	73003589						
280		73006490						
300		7989593						
315		73006388						
350		73006491	7988529	73006493				
355			73006492	73006494				
400			73001191	7983444	73006495			
450					7980966	73006497		
500					73006496	73003592		
550						73006395		
560						73006498		
600						73006499	73006501	
630						73006500	73006502	
650							73006503	
700							73006504	
710							73006505	
750							73006506	
800							73006507	73006508
850								73006509
900								73006510
950								73006511

*The inlet must level with the bottom.

Inlet* welded QF								
size	NC 500	NC 700	NC 1000	NC 1150	NC 1300	NC 1600	NC 2000	NC 2500
200	7989665							
224	73006512	73006514						
250	73006513	73003689						
280		73006515						
300		73006516						
315		73003690						
350		73006517	73006518	73006520				
355			73006519	73006521				
400			73000491	73008148	73006409			
450					73006410	73006523		
500					73006522	73003691		
550						73006524		
560						73006525		
600						73006526	73006528	
630						73006527	73006529	
650							73006530	
700							73006531	
710							73006413	
750							73006532	
800							73006533	73006534
850								73006535
900								73006536
950								73006537

* The inlet must level with the bottom.

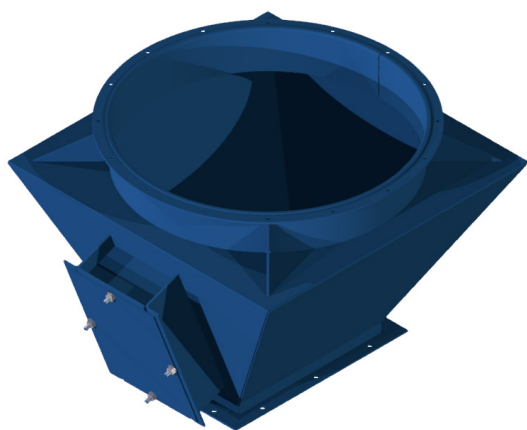
Inlet* welded FL								
size	NC 500	NC 700	NC 1000	NC 1150	NC 1300	NC 1600	NC 2000	NC 2500
200	73006538							
224	73006539	73006541						
250	73006540	73003685						
280		73006542						
300		73000515						
315		7989869						
350		73006543	7989822	73003687				
355			73006544	73006545				
400			7989870	73006546	73006547			
450					73006548	73006550		
500					73006549	73006551		
550						73006552		
560						73005433		
600						73006553	73006554	
630						7988396	73006555	
650							73006556	
700							73006557	
710							73006558	
750							73006559	
800							73006560	73006561
850								73006562
900								73003688
950								73006563

* The inlet must level with the bottom.

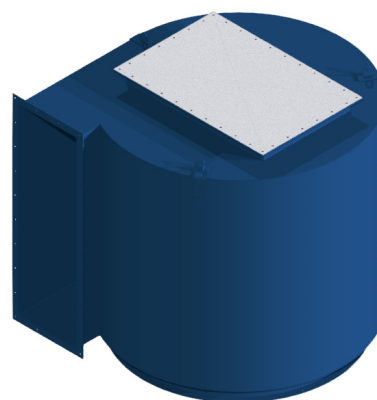
Dimensions

Type	A	B	C	Ø D	Ø E	Ø F	H	I	J	K	Weight
	[mm]	[mm]	[mm]	[mm]	[mm]	[mm]	[mm]	[mm]	[mm]	[mm]	[kg]
NC 500	1000	700	80	500	250	200	126	285	305	1780	53
NC 700	1430	990	60	700	400	315	206	444	501	2480	123
NC 1000	2048	1500	100	1000	560	400	216	485	606	3648	306
NC 1150	2395	1800	100	1150	630	450	240	550	675	4300	433
NC 1300	2825	2000	120	1300	710	450	300	600	700	4945	550
NC 1600	3300	2300	100	1600	900	500	357	905	600	5700	804
NC 2000	3930	2600	170	2000	1200	630	401	1247	1200	6700	1278
NC 2500	4205	3000	170	2500	1600	710	507	1364	1200	7375	1647

Examples of Accessories



Transition to NRS(Z)4 for NC 2000



Ex tangential outlet left for NC 2000 right



Cyclone NC 2000 dust container with reduction